

USER GUIDE AND INSTALLATION MANUAL HIDDEN LICENSE PLATE KIT

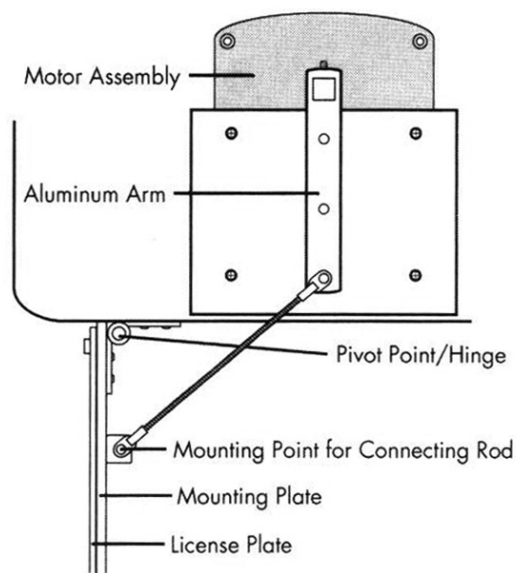
PLATE

USER GUIDE

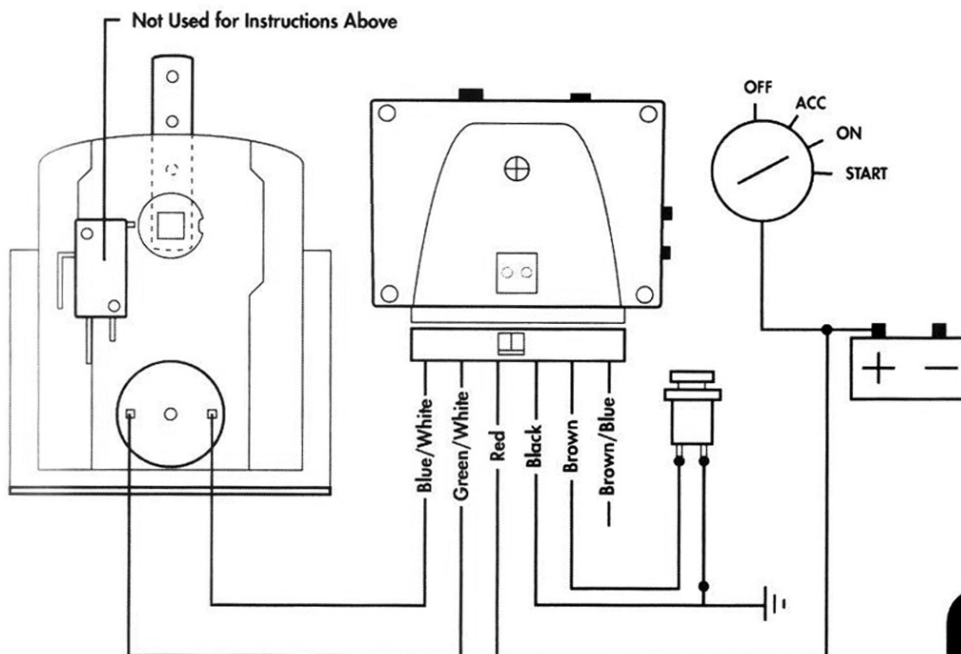
*NOTE: There may be several options for mounting a license plate. We have provided one option. Images for reference only.

1. A mounting plate must be fabricated for the license plate. Purchase some type of hinge that can be welded or bolted to the mounting plate.
 2. Determine a mounting point for the pivoting mounting plate. There needs to be enough room for the license plate to tuck away from view.
 3. Chose a location, out of view, for the motor assembly. Test placement of motor, length of aluminum arm and length of threaded rod. Aluminum arm and threaded rod can be shortened if needed.
 4. There needs to be a mounting point for the connecting rod to attach.
 5. Connect all pieces
 6. Motor needs to be wired to motor control unit. Motor control unit allows you to program run times so the license plate will stop at correct position.
- *See Motor Control Unit (MOTORCT2) instructions for more information.
7. Assemble and attach linkage.
 8. Test and make adjustments.
 9. Attach license plate.

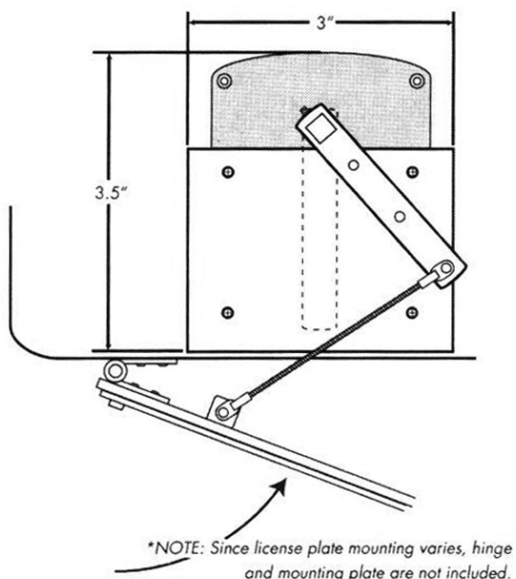
NOT HIDDEN



WIRING DIAGRAM



HIDDEN



WARNING: It is unlawful to have license plate out of view while vehicle is in motion. Check local laws for more information.